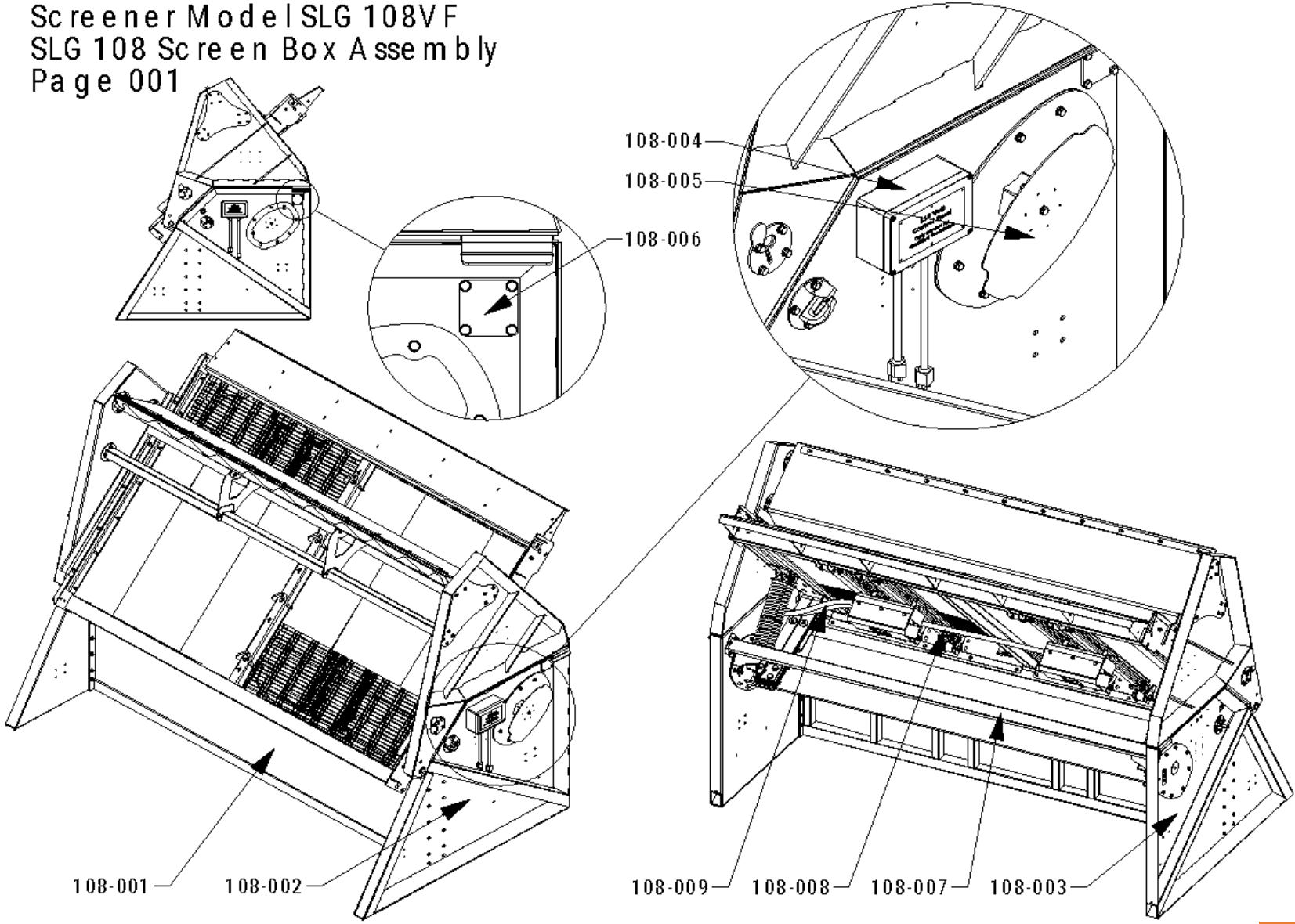


Scree ner Model | SLG 108VF
SLG 108 Screen Box Assembly
Page 001



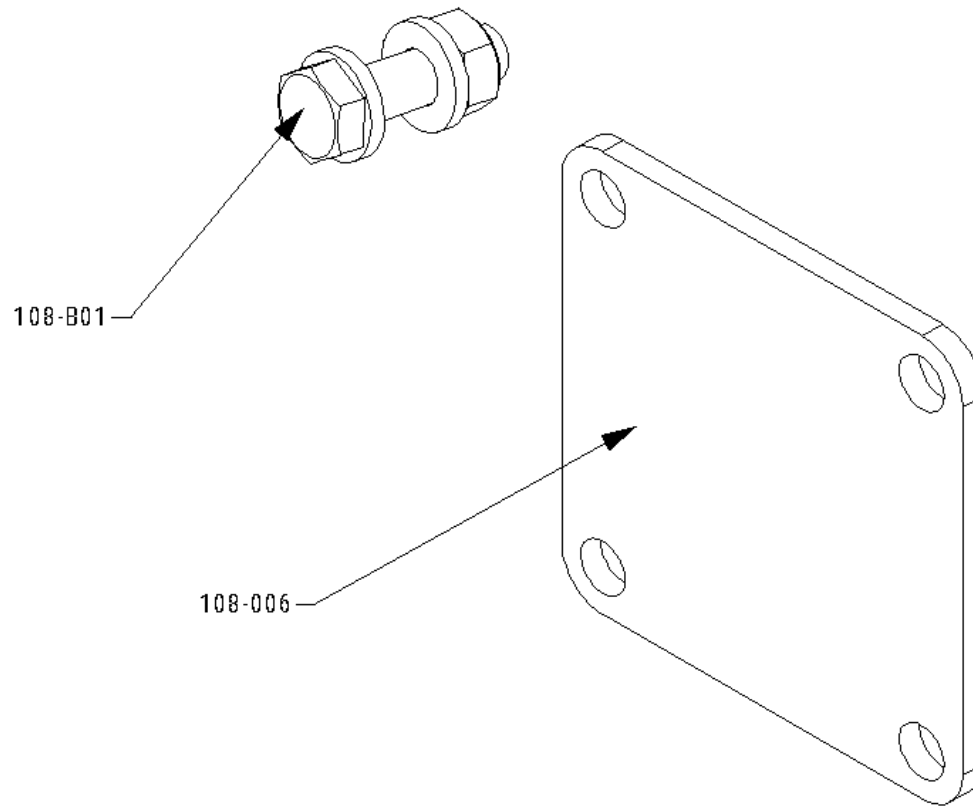
SCREENER MODEL SLG 108 VF

SLG 108 Screen Box Assembly

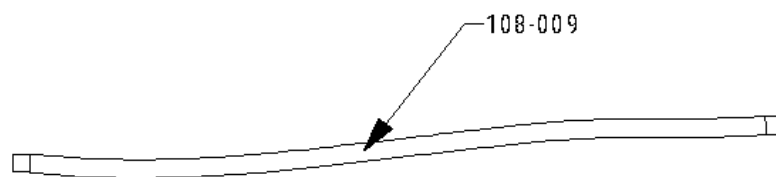
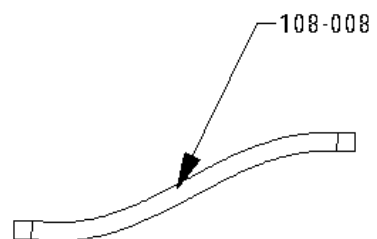
Page 001

Part Number	Part Description Name	kit/pieces	Quantity	Notes
108-001	Box Front	pieces	1	Drawing # 001-C
108-002	Righthand Box Side	pieces	1	Drawing # 001-C
108-003	Lefthand Box Side	pieces	1	Drawing # 001-C
108-004	Electrical Control Box (110 volt)	kit	1	
108-005	Electrical Cord Caddy	kit/pieces	1	
108-006	Box Cross Tube Outer Plate	pieces	2	Comes with 108-B01 Drawing # 001-A
108-007	Box Cross Tube	pieces	1	
108-008	Electrical Box to Motor Tube	pieces	1	Drawing # 001-B
108-009	Electrical Box to Motor Tubes (A)	pieces	2	Drawing # 001-B
108-B01	M10X35 (1Pcs Bolt/2Pcs Flat Washer/1Pcs Lock Nut)	kit	8	
108-B02	M10X40 (1Pcs Bolt/2Pcs Flat Washer/1Pcs Lock Nut)	kit	24	

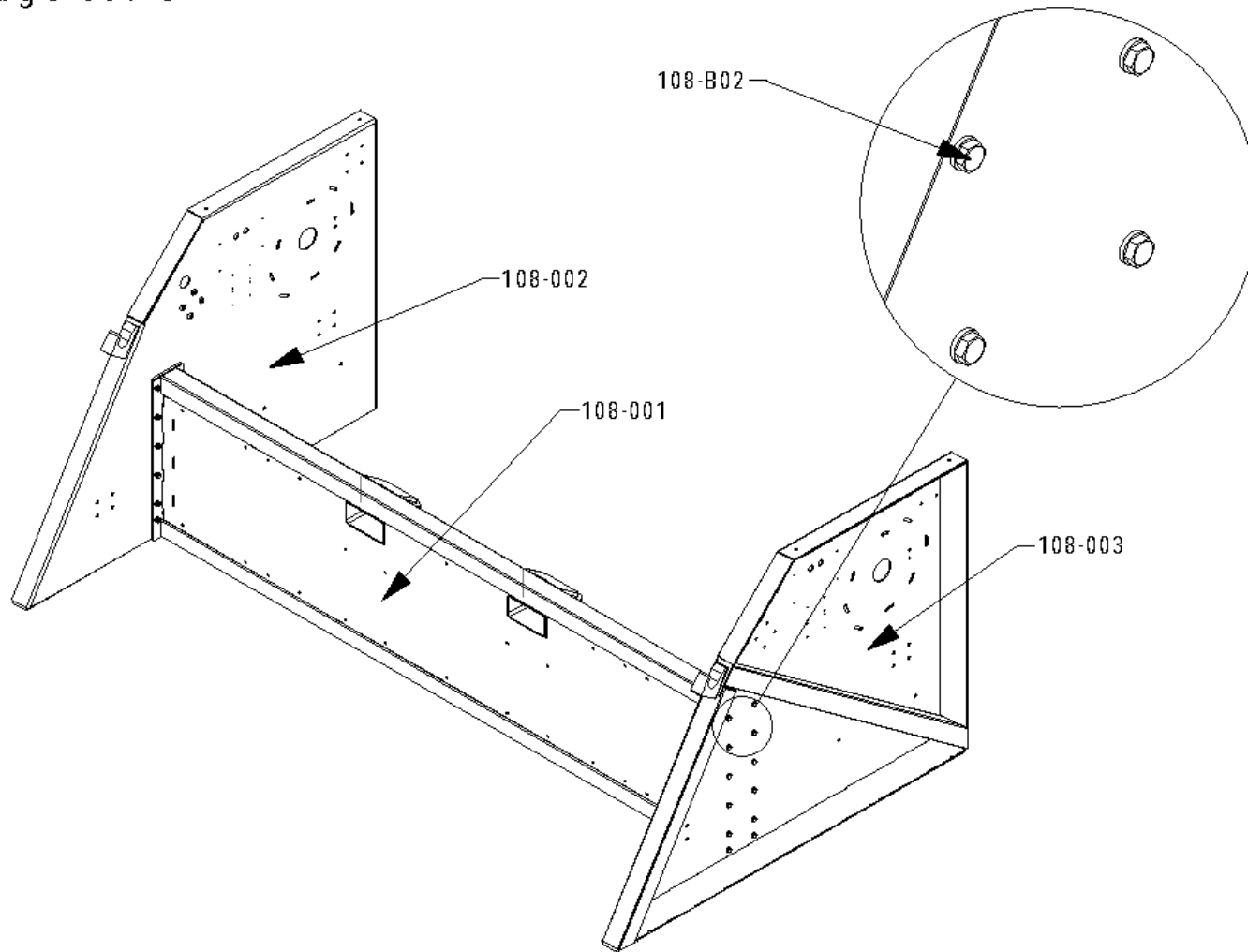
Screen er Model SLG 108VF
SLG 108 Screen Box Assembly
Page 001-A



Screen Model SLG 108VF
SLG 108 Screen Box Assembly
Page 001-B



Screen er Model SLG 108VF
SLG 108 Screen Box Assembly
Page 001-C

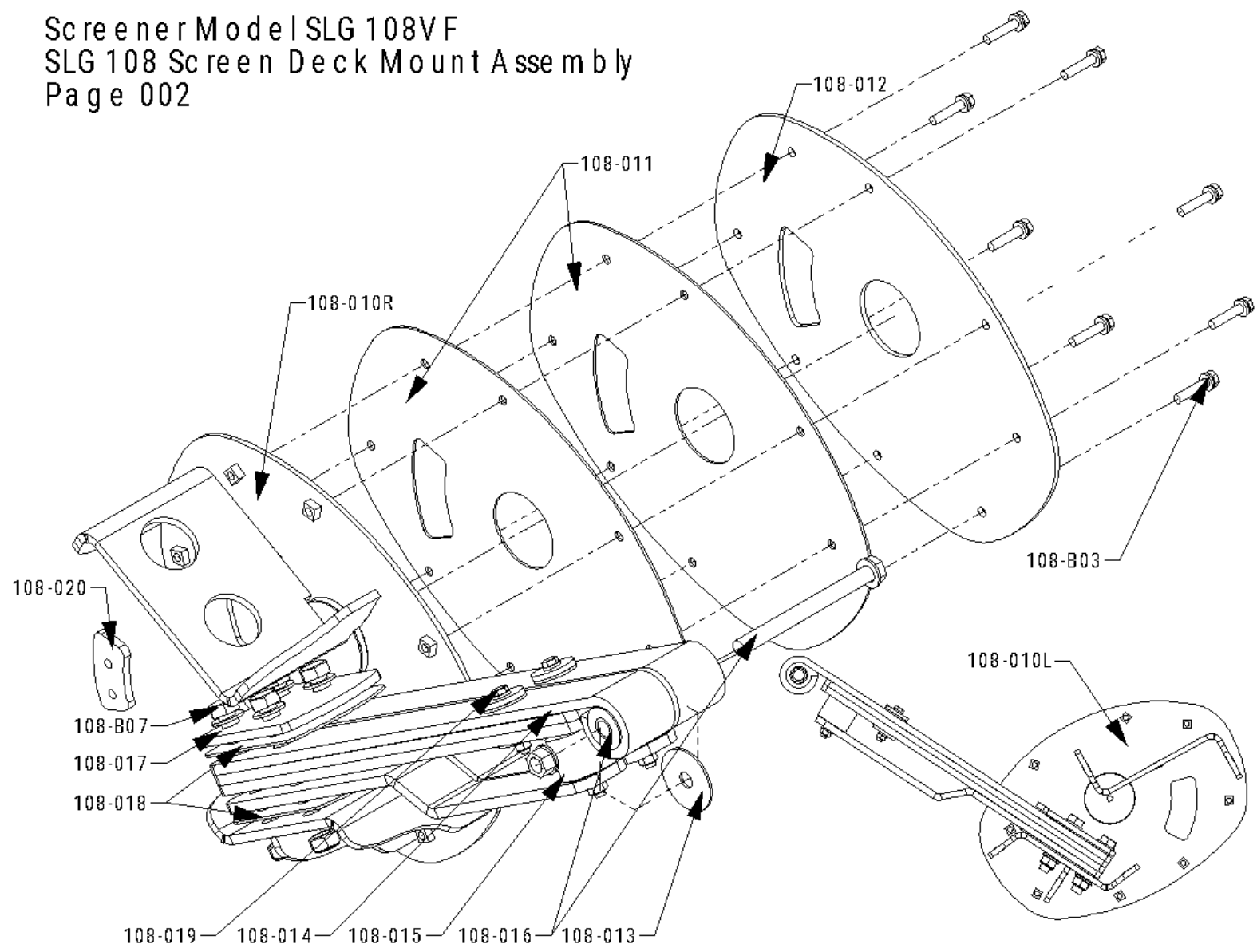


SLG 108 Screen Deck Mount Assembly

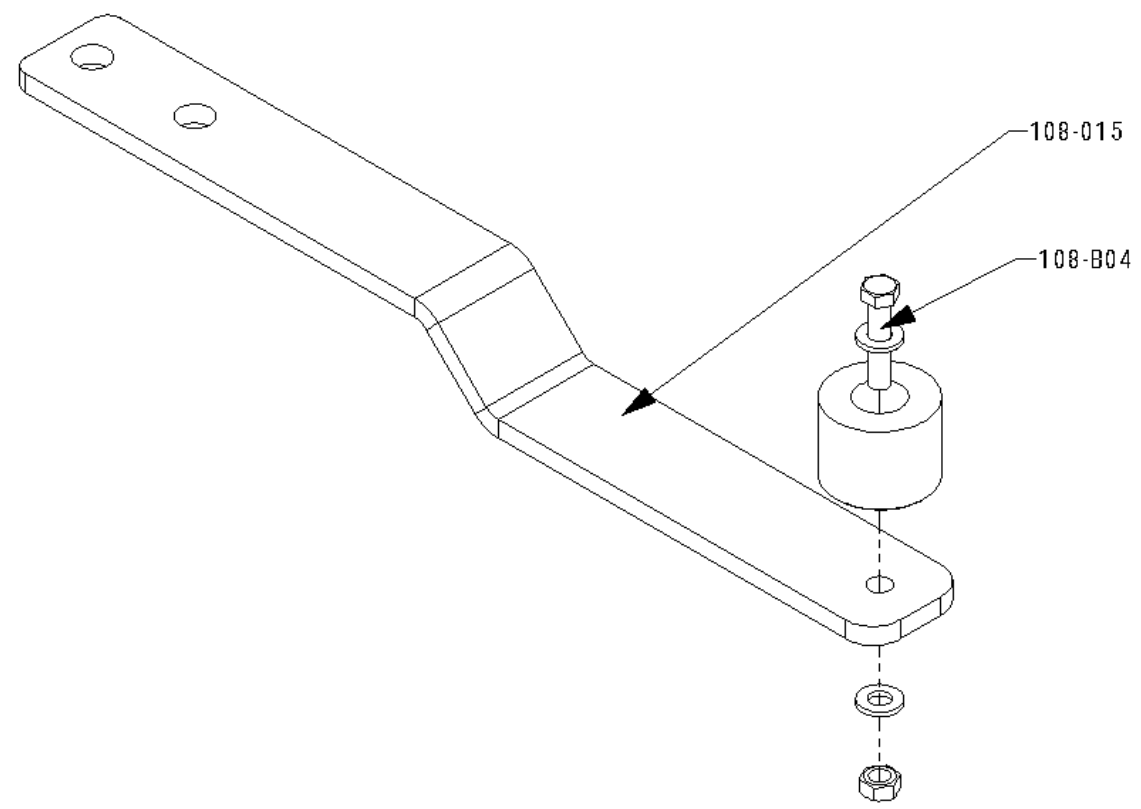
Page 002

Part Number	Part Description Name	kit/pieces	Quantity		Notes
108-010R	RH Deck Suspension Mount	pieces	1		
108-010L	LH Deck Suspension Mount	pieces	1		
108-011	Deck Suspension Mount Outside UHMW Slipper Plate	pieces	2		
108-012	Deck Suspension Mount Outside Steel Plate	pieces	2		per piece price
108-013	Suspension Leaf Spring Pack UHMW Washer	pieces	2		included with bushing kit 108-016
108-014	Suspension Leaf Spring Pack	kit	4		per spring pack
108-015	Suspension Z Spring with UHMW Bumper	kit	4		Per a set (2 Z springs) Include UHMW bumper Drawing 002-A
108-016	Leaf Spring Rubber Bushing	kit/pieces	4		set of 4 bushings (also include part 108-113 (2pcs) Drawing 002-B
108-017	Spring Mount Upper Plate	pieces	2		1plate (includes 4pcs 108-018 / 4 pcs 108-B07) Drawing 002-D
108-018	Spring Mount UHMW Slippers	pieces	4		2 pcs (Included in 108-017)
108-019	Suspension Leaf Spring Pack Center Bolt Assembly	kit	4		comes in a set of 4 Drawing 002-C
108-020	Spring Mount Stop	kit/pieces	4		comes in quantity of 4
108-B03	M10X50 (1Pcs Bolt/1Pcs Flat Washer/1Pcs Lock Washer)	kit	16		
108-B04	M12X55 (1Pcs Bolt/2Pcs Flat Washer/1Pcs Lock Nut)	kit	4		
108-B05	M18X200 (1Pcs Bolt/2Pcs Flat Washer/1Pcs Lock Nut)	kit	2		
108-B06	M10X70 (1Pcs Bolt/2Pcs Flat Washer/1Pcs Lock Nut)	kit	4		
108-B07	M20X110 (1Pcs Bolt/2Pcs Flat Washer/1Pcs Lock Nut)	kit	8		

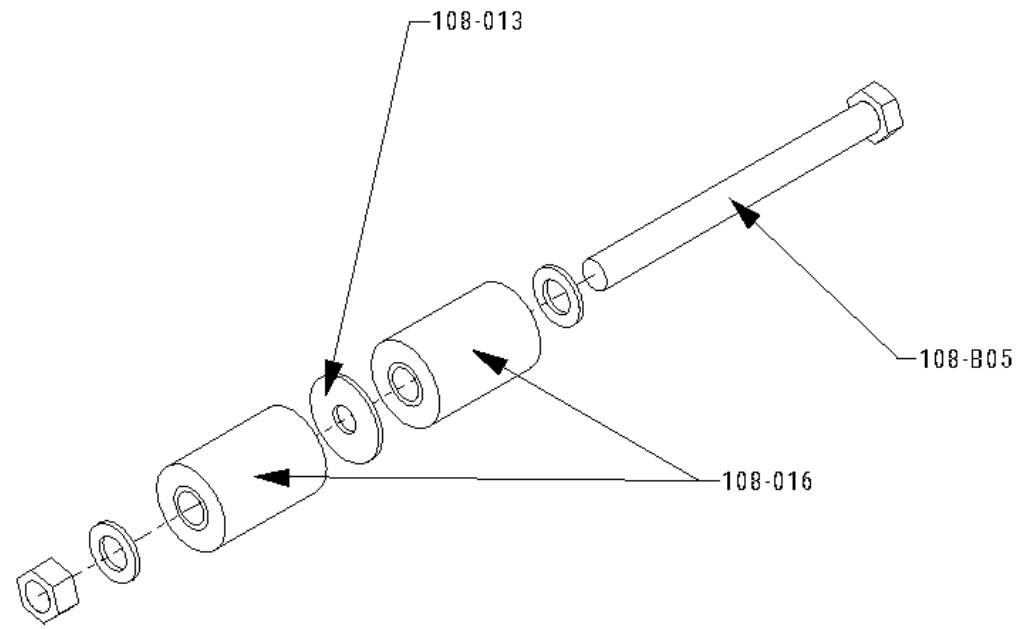
Screener Model SLG 108VF
SLG 108 Screen Deck Mount Assembly
Page 002



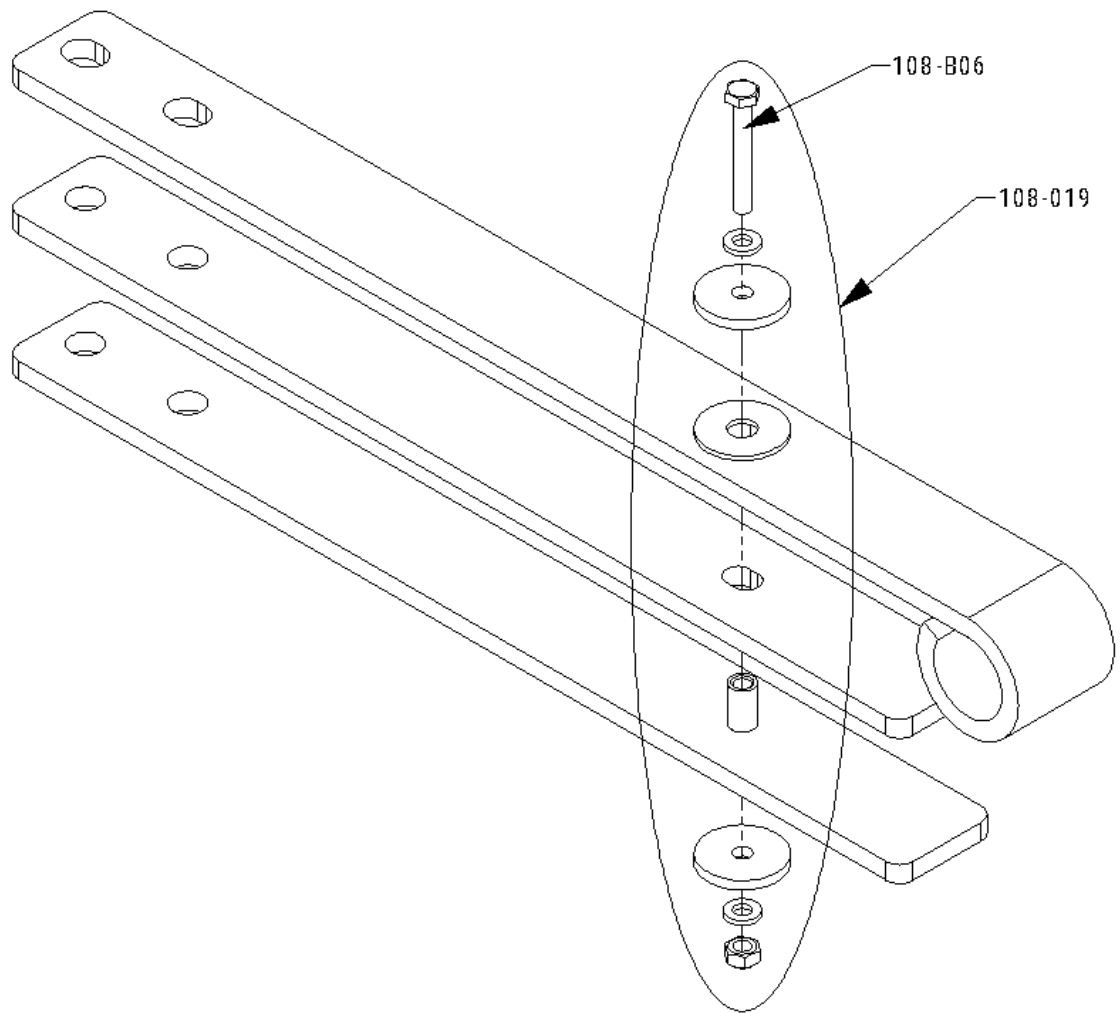
Screen er Model SLG 108VF
SLG 108 Screen Deck Mount Assembly
Page 002-A



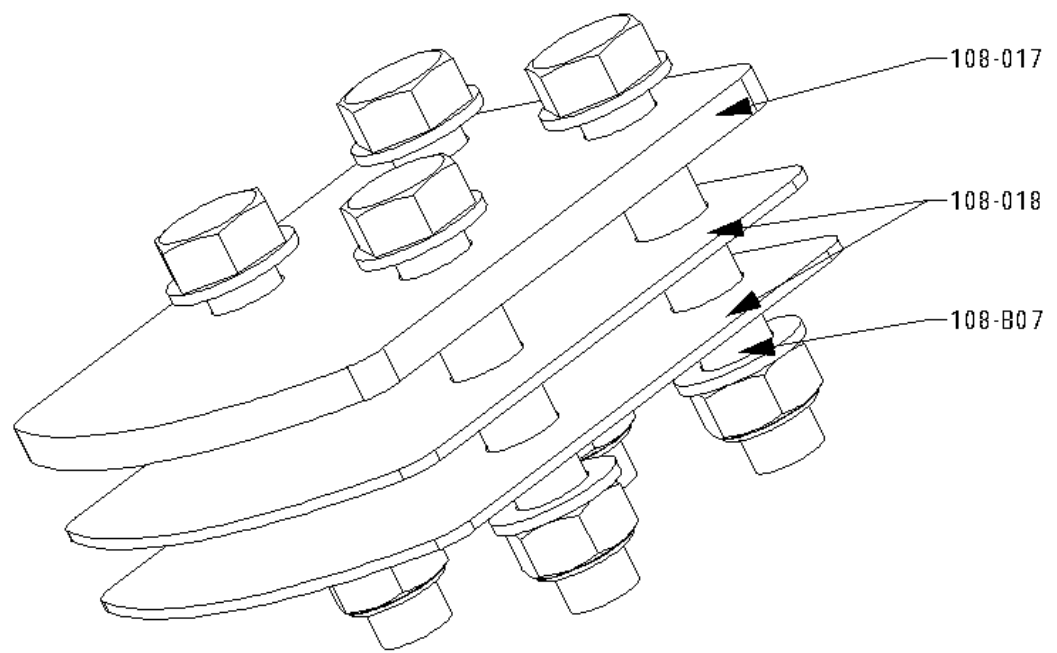
Screen er Model SLG 108VF
SLG 108 Screen Deck Mount Assembly
Page 002-B



Screen er Model SLG 108VF
SLG 108 Screen Deck Mount Assembly
Page 002-C



Screen er Model SLG 108VF
SLG 108 Screen Deck Mount Assembly
Page 002-D

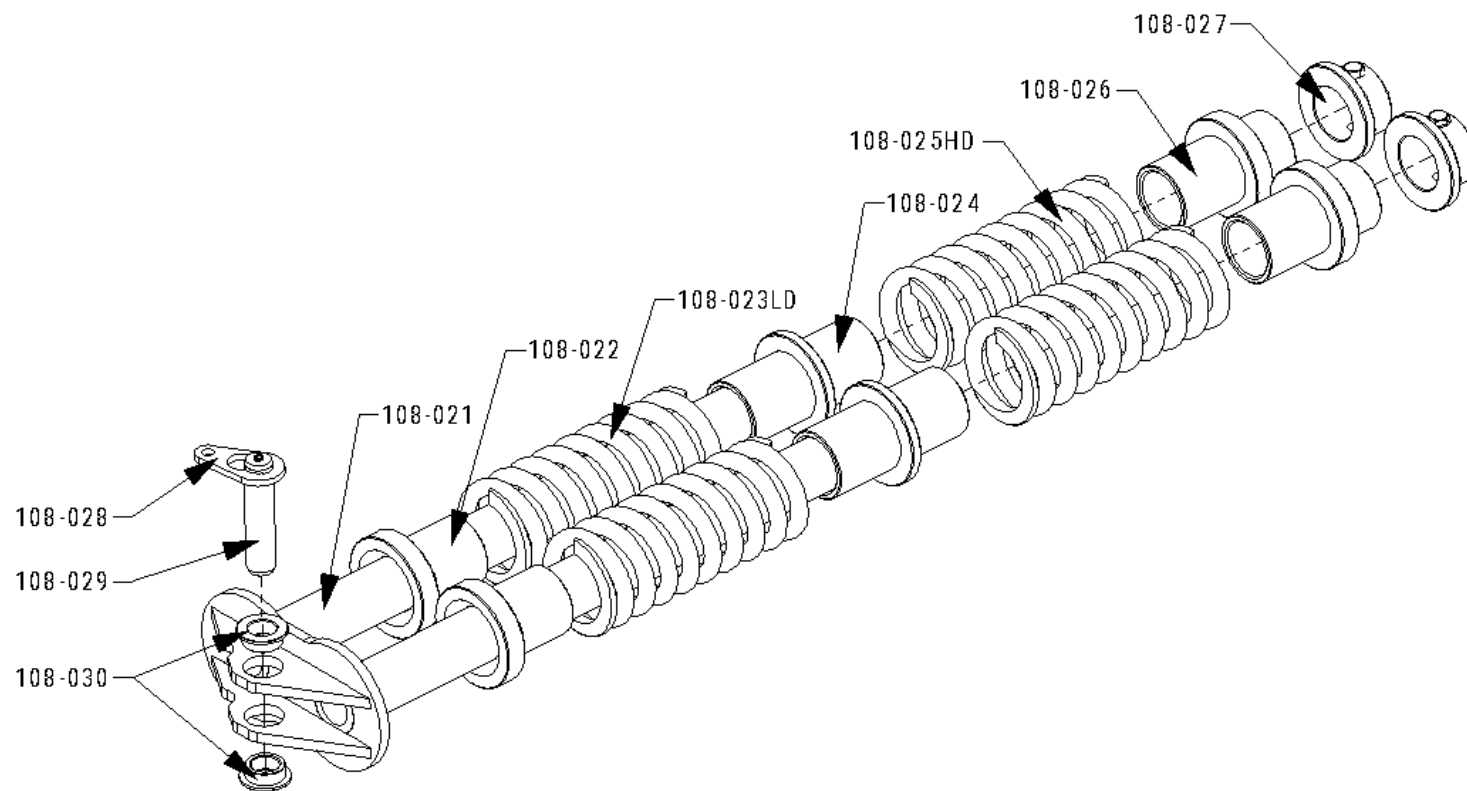


SLG 108 Coil Spring Assembly

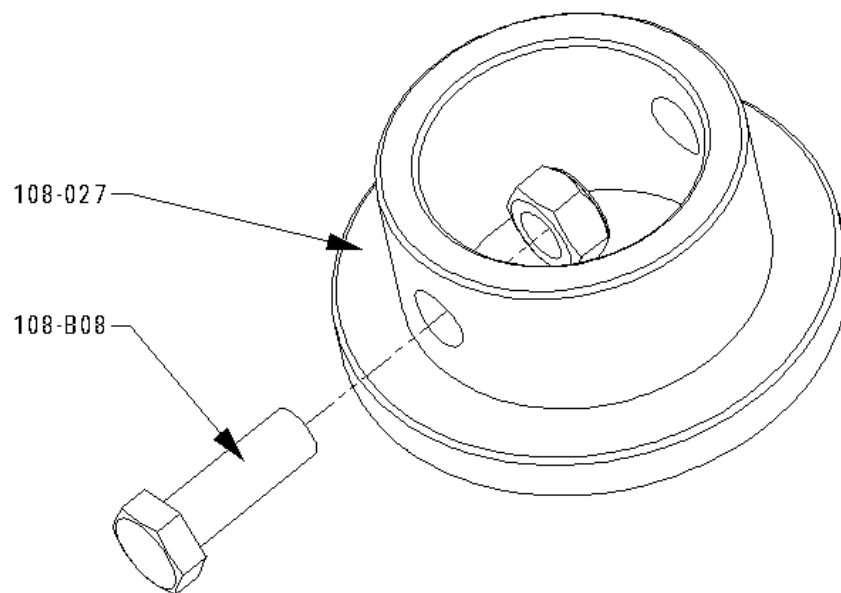
Page 003

Part Number	Part Description Name	kit/pieces	Quantity		Notes
108-021	Coil Spring Tube	pieces	2		price is per item
108-022	Upper UHMW Coil Spring Guide	pieces	4		Comes as a Kit (12 pieces) 4pcs 108-022 / 4 pcs 108-024 / 4pcs 108-026
108-023LD	Upper Coil Spring	pieces	4		Quantity 2pcs
108-024	Intermediate UHMW Coil Spring Guide	pieces	4		Comes with part # 108-022 kit
108-025HD	Lower Coil Spring	pieces	4		Quantity 2pcs
108-026	Lower UHMW Coil Spring Guide	pieces	4		Comes with part # 108-022 kit
108-027	Coil Spring Tube Stop	pieces	4		Comes in quantity of 4 Drawing # 003-A
108-028	Pin Keeper	pieces	2		comes with kit (part # 108-029) Drawing # 003-B
108-029	Coil Spring Mount Pin	pieces	2		Drawing # 003-B
108-030	Coil Spring Pin Bushings	pieces	4		comes with kit (part # 108-029) Drawing # 003-B
108-B08	M10X30 (1Pcs Bolt/1Pcs Lock Nut)	kit	4		comes with part # 108-027 kit

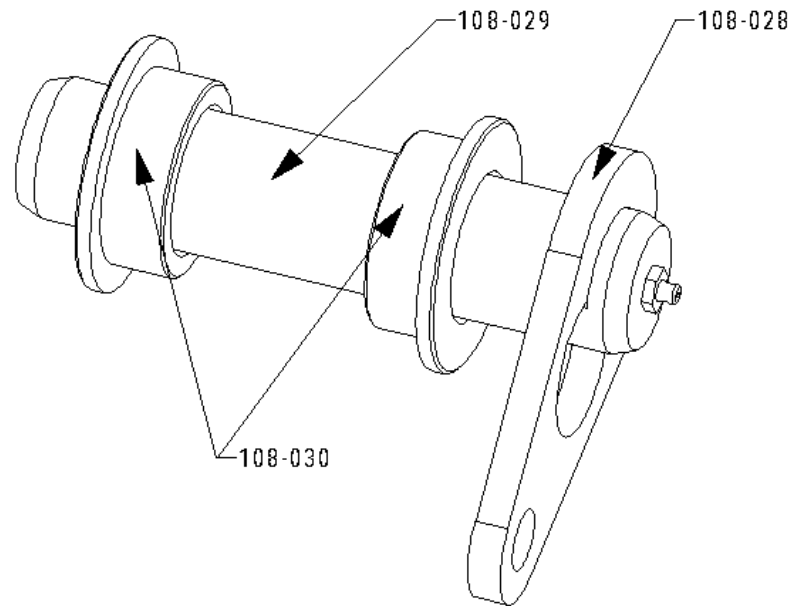
Screen er Model SLG 108VF
SLG 108 Coil Spring Assembly
Page 003



Screen er Model SLG 108VF
SLG 108 Coil Spring Assembly
Page 003-A



Screen er Model SLG 108VF
SLG 108 Coil Spring Assembly
Page 003-B

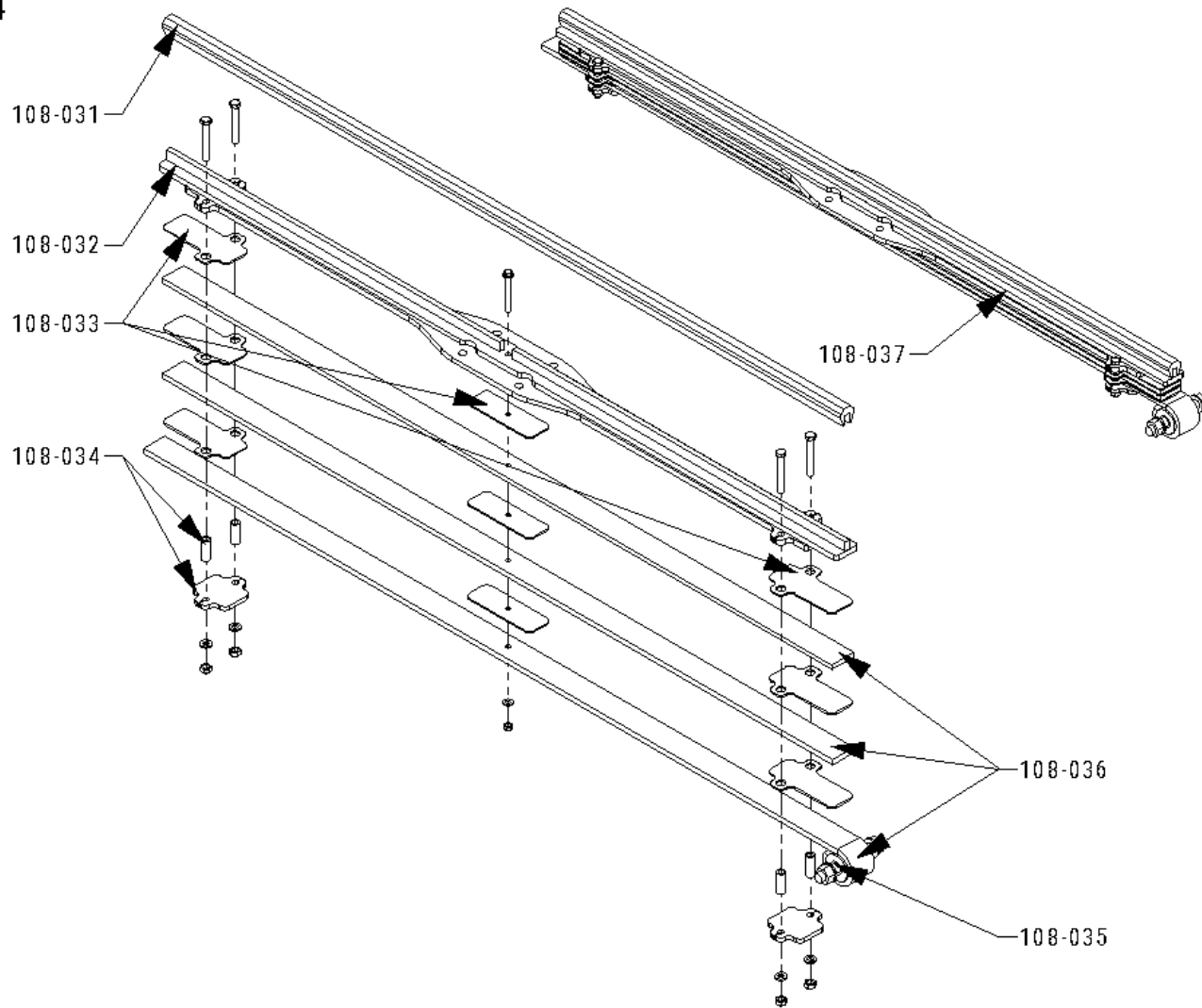


SLG 108 Vibratory Spring Pack

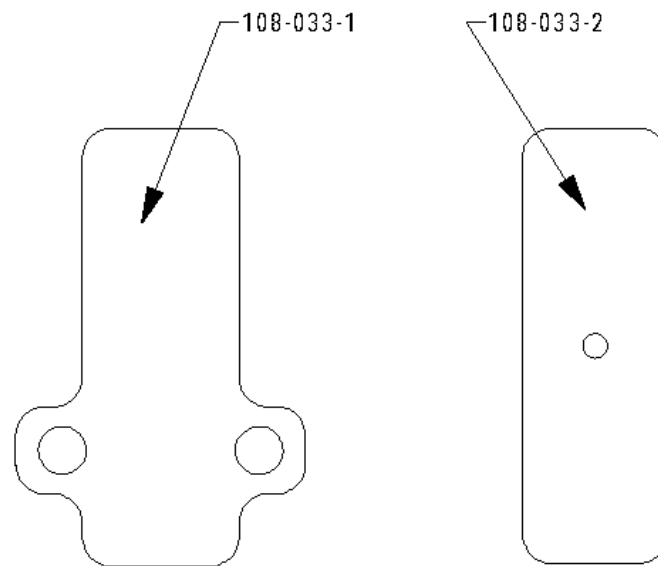
Page 004

Part Number	Part Description Name	kit/pieces	Quantity		Notes
108-031	108 Crown Rubber	kit/pieces	4		quantity of 4 pcs
108-032	Spring Pack Upper Plate	pieces	4		per piece
108-033-1	UHMW Vibratory Leaf Spring Pack Slippers	kit/pieces	24		Drawing # 004-A
108-033-2	UHMW Vibratory Leaf Spring Pack Slippers	kit/pieces	12		Comes in kit with Part # 108-033-1 Drawing # 004-A
108-034	Vibratory Spring Pack Lower Plates/ Bushings	kit/pieces	4		Quantity of 4 pcs Drawing # 004-B
108-035	Spring Pack Bushing	kit/pieces	4		Quantity of 4 Drawing # 004-C
108-036	Vibratory Leaf Spring Pack	pieces	3		per 3 leaf spring pack
108-037	Vibratory Leaf Spring Pack Complete Assembly	kit	4		one complete spring pack with crown rubber
108-B09	M10X75 (1Pcs Bolt/2Pcs Flat Washer/1Pcs Lock Nut)	kit	16		
108-B10	M8X75 (1Pcs Bolt/2Pcs Flat Washer/1Pcs Lock Nut)	kit	4		
108-B11	M18X125 (1Pcs Bolt/2Pcs Flat Washer/1Pcs Lock Nut)	kit	8		

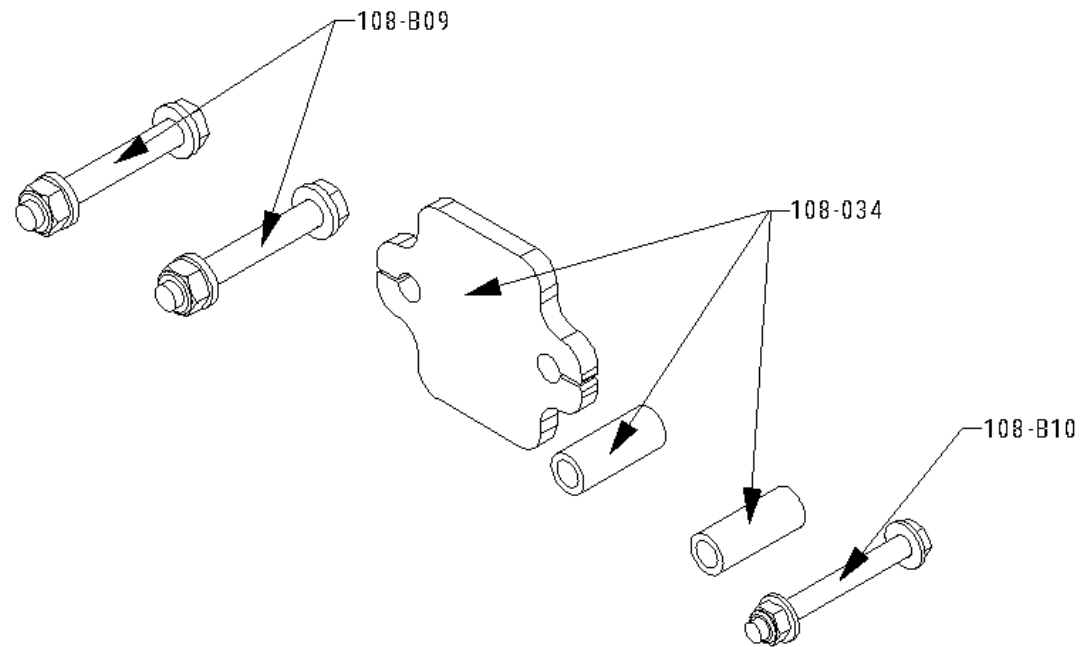
Screen Model SLG 108VF
SLG 108 Vibratory Spring Pack
Page 004



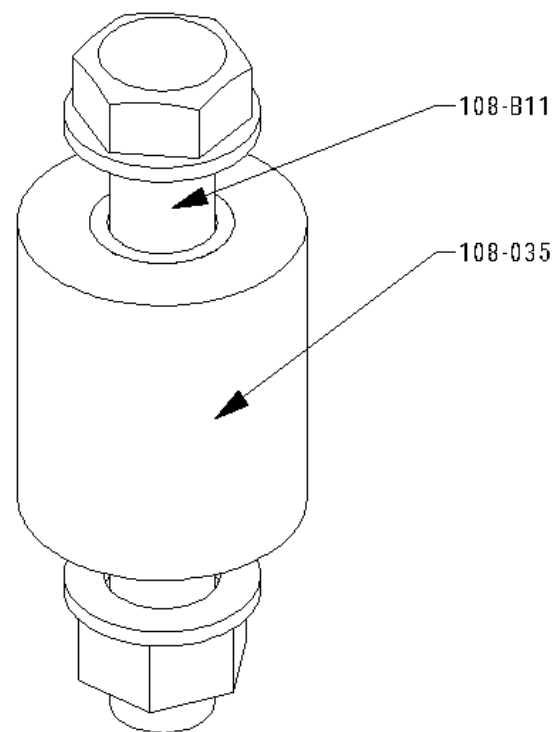
Screen er Model SLG 108VF
SLG 108 Vibratory Spring Pack
Page 004-A



Screen er Model SLG 108VF
SLG 108 Vibratory Spring Pack
Page 004-B



Screen er Model SLG 108VF
SLG 108 Vibratory Spring Pack
Page 004-C

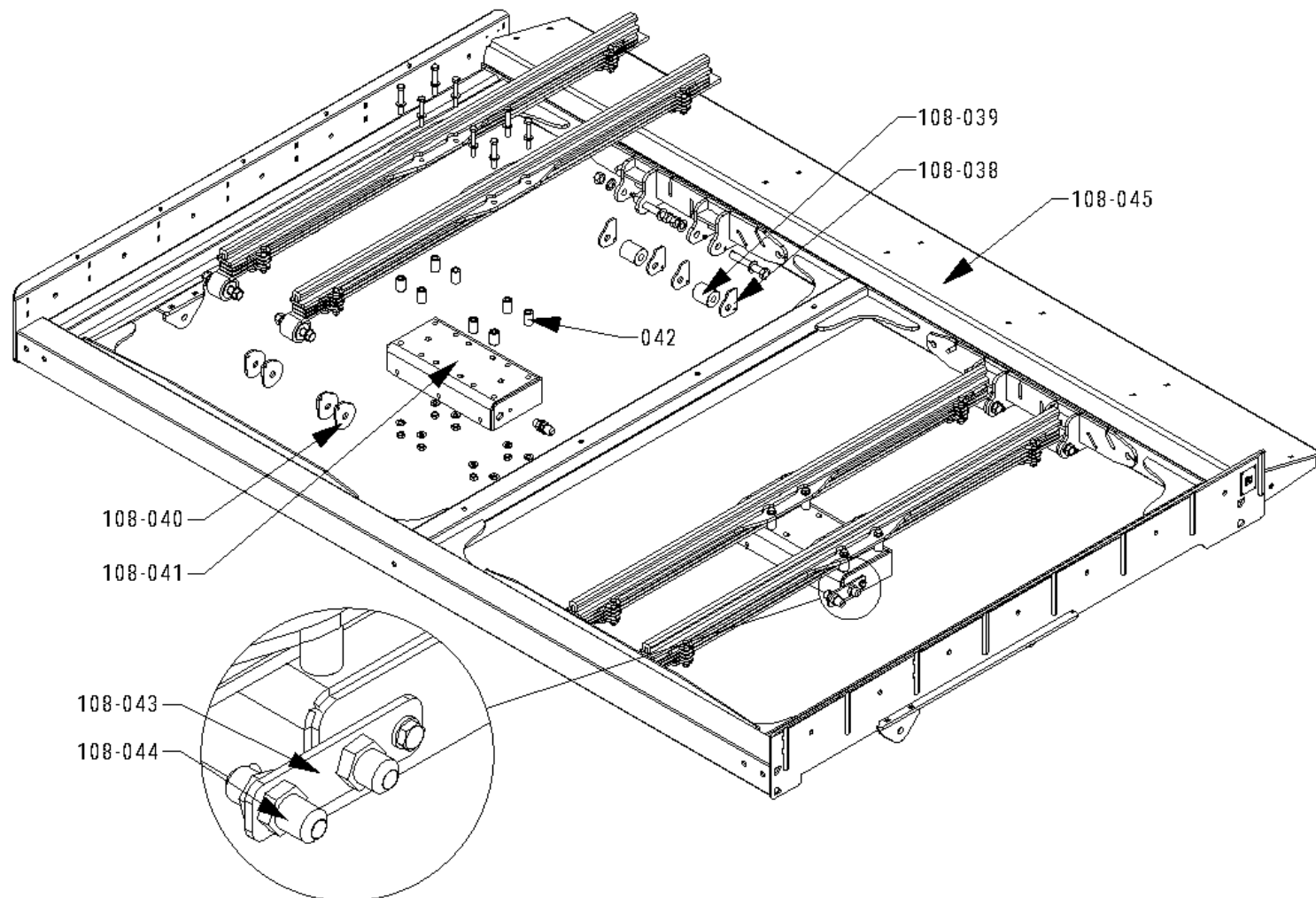


SLG 108 Screen Deck Assembly

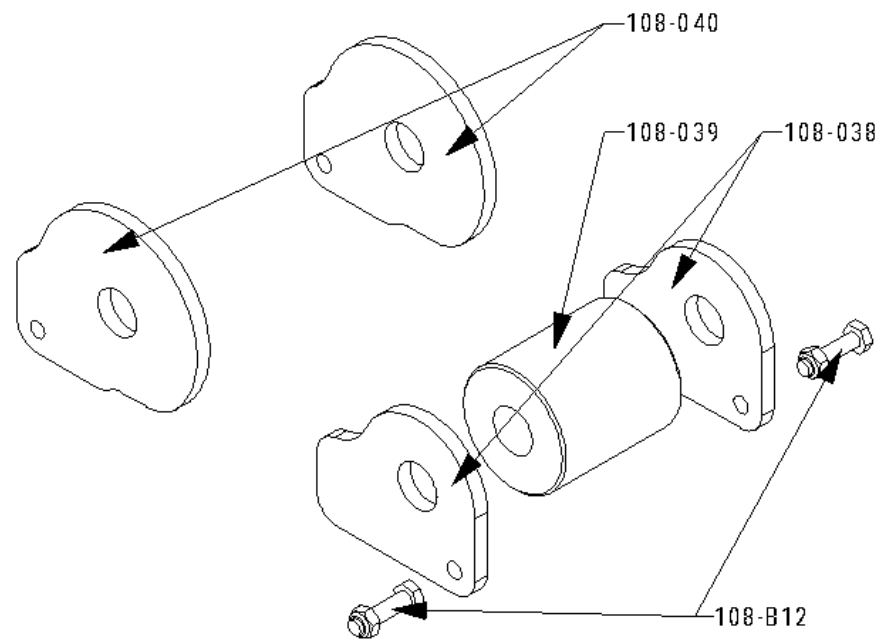
Page 005

Part Number	Part Description Name	kit/pieces	Quantity		Notes
108-038	Upper UHMW Vibratory Spring Slippers	kit/pieces	8		included in part # 108-039 Drawing # 005-A
108-039	UHMW Spring Rollers	kit/pieces	4		Quantity of 4 Drawing Number 005-A
108-040	Lower UHMW Vibratory Spring Slippers	kit/pieces	4		included in part # 108-039 Drawing # 005-A
108-041	Vibratory Motor Box	pieces	2		Box per 1 piece (4 bushings / 4 bolts Drawing # 005-B
108-042	Vibratory Box Mounting Spacers	pieces	4		included in part # 108-041
108-043	Electrical Bulkhead Fitting Mount	pieces	1		
108-044	Electrical Bulkhead Fitting	kit/pieces	5		5 pcs to kit
108-045	Screen Deck Frame	pieces	1		
108-B12	M6X25 (1Pcs Bolt/2Pcs Flat Washer/1Pcs Lock Nut)	kit	16		
108-B13	M12X80 (1Pcs Bolt/2Pcs Flat Washer/1Pcs Lock Nut)	kit	16		

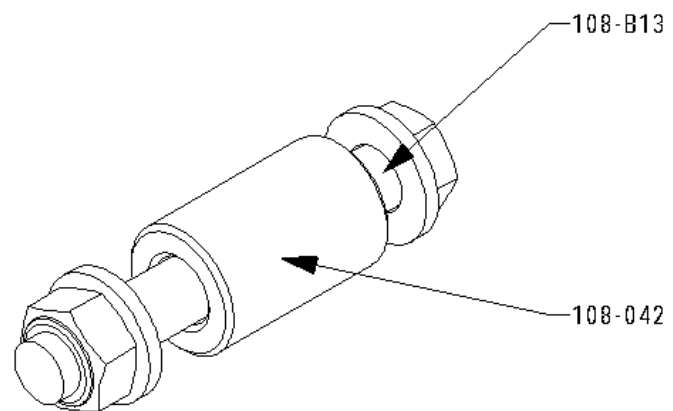
Screen Model SLG 108VF
SLG 108 Screen Deck Assembly
Page 005



Screen er Model SLG 108VF
SLG 108 Screen Deck Assembly
Page 005-A



Screen er Model SLG 108VF
SLG 108 Screen Deck Assembly
Page 005-B

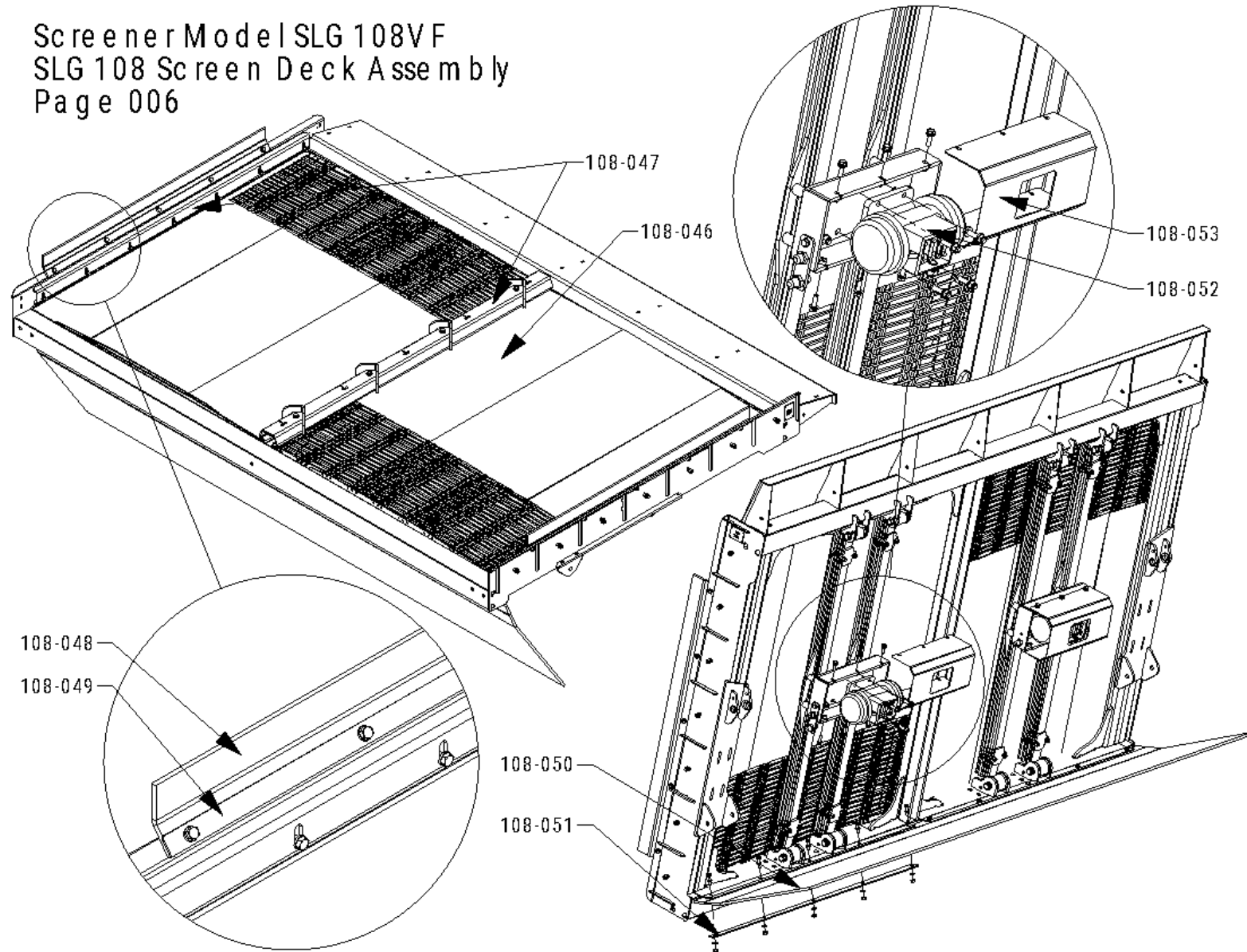


SLG 108 Screen Deck Assembly

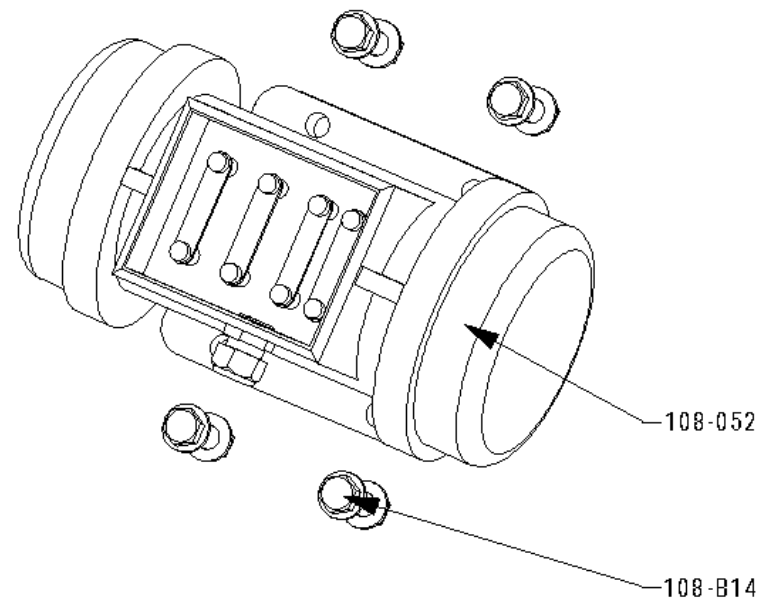
Page 006

Part Number	Part Description Name	kit/pieces	Quantity		Notes
108-046	3/4 x 4 Screen Mesh	pieces	2		quantity of 2 mesh for 1 set
108-047	Screen Mesh Side Clamp	kit/pieces	1		Comes with 2 side clamps and 1 center clamp Drawing # 006-D
108-048	Screen Deck Rubber Side Skirt	kit/pieces	2		
108-049	Screen Deck Rubber Side Skirt Back Up Strip	kit/pieces	2		Drawing # 006-B
108-050	Screen Deck Rubber Bottom Skirt	pieces	1		Drawing # 006-C
108-051	Screen Deck Rubber Bottom Skirt Back Up Strip	pieces	2		quantity of 2 for 1 set Drawing # 006-C
108-052	Vibratory Motor	pieces	2		Per Motor Drawing # 006-A
108-053	Vibratory Motor Guard	pieces	2		Per Motor Guard Drawing # 006-E
108-B14	M12X55 (1Pcs Bolt/2Pcs Flat Washer/1Pcs Lock Nut)	kit	8		comes with 108-052
108-B15	M10X40 (1Pcs Bolt/2Pcs Flat Washer/1Pcs Lock Nut)	kit	10		
108-B16	M10X40 (1Pcs Bolt/2Pcs Flat Washer/1Pcs Lock Nut)	kit	10		
108-B17	M10X65 (1Pcs Bolt/2Pcs Big Flat Washer/1Pcs Lock Nut)	kit	14		Comes with 108-047
108-B18	M12X150 (1Pcs Bolt/2Pcs Flat Washer/1Pcs Lock Nut)	kit	4		Comes with 108-047
108-B19	M10X35 (1Pcs Bolt/1Pcs Flat Washer/1Pcs Lock Washer)	kit	12		comes with 108-053

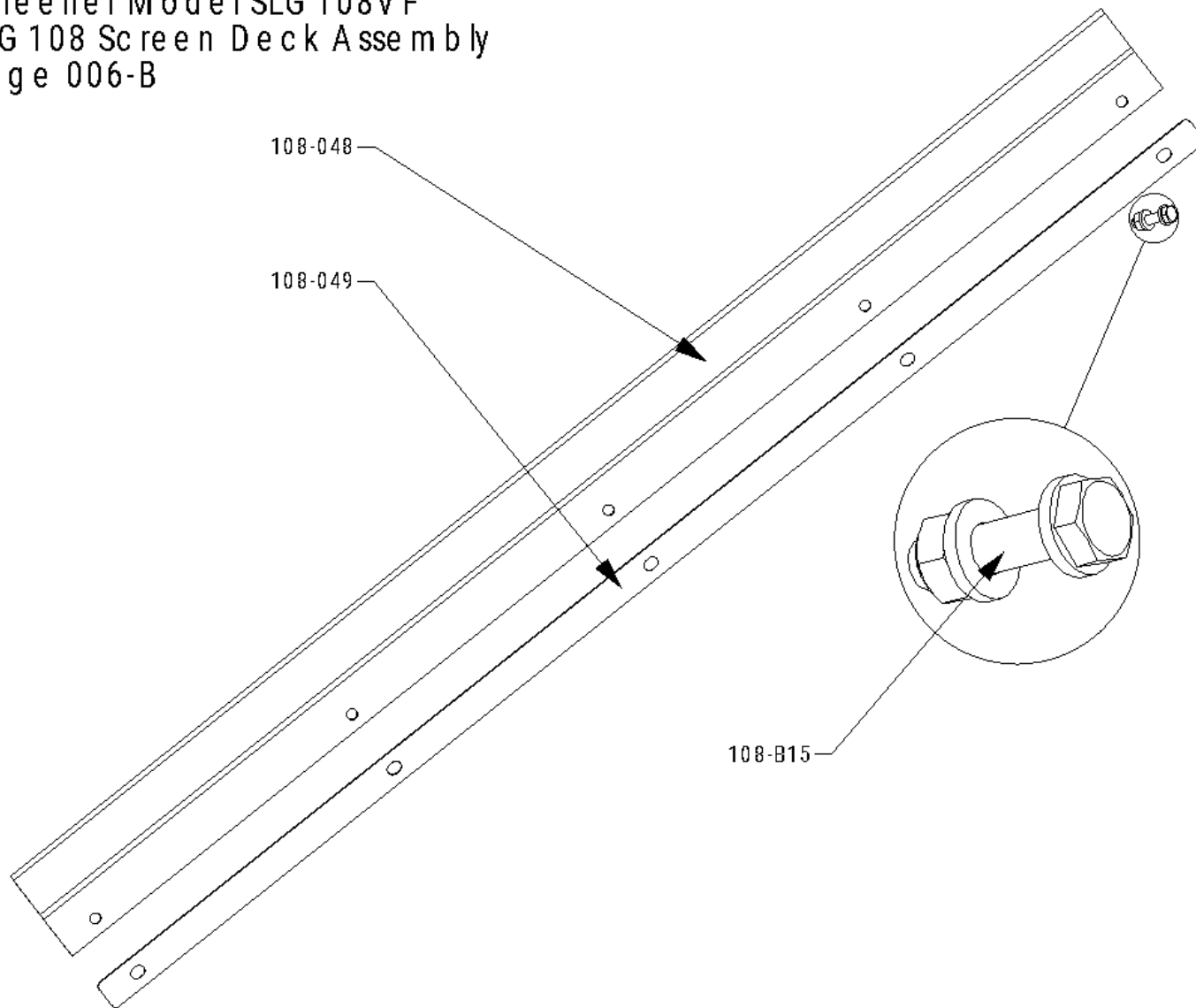
Screen er Model SLG 108VF
SLG 108 Screen Deck Assembly
Page 006



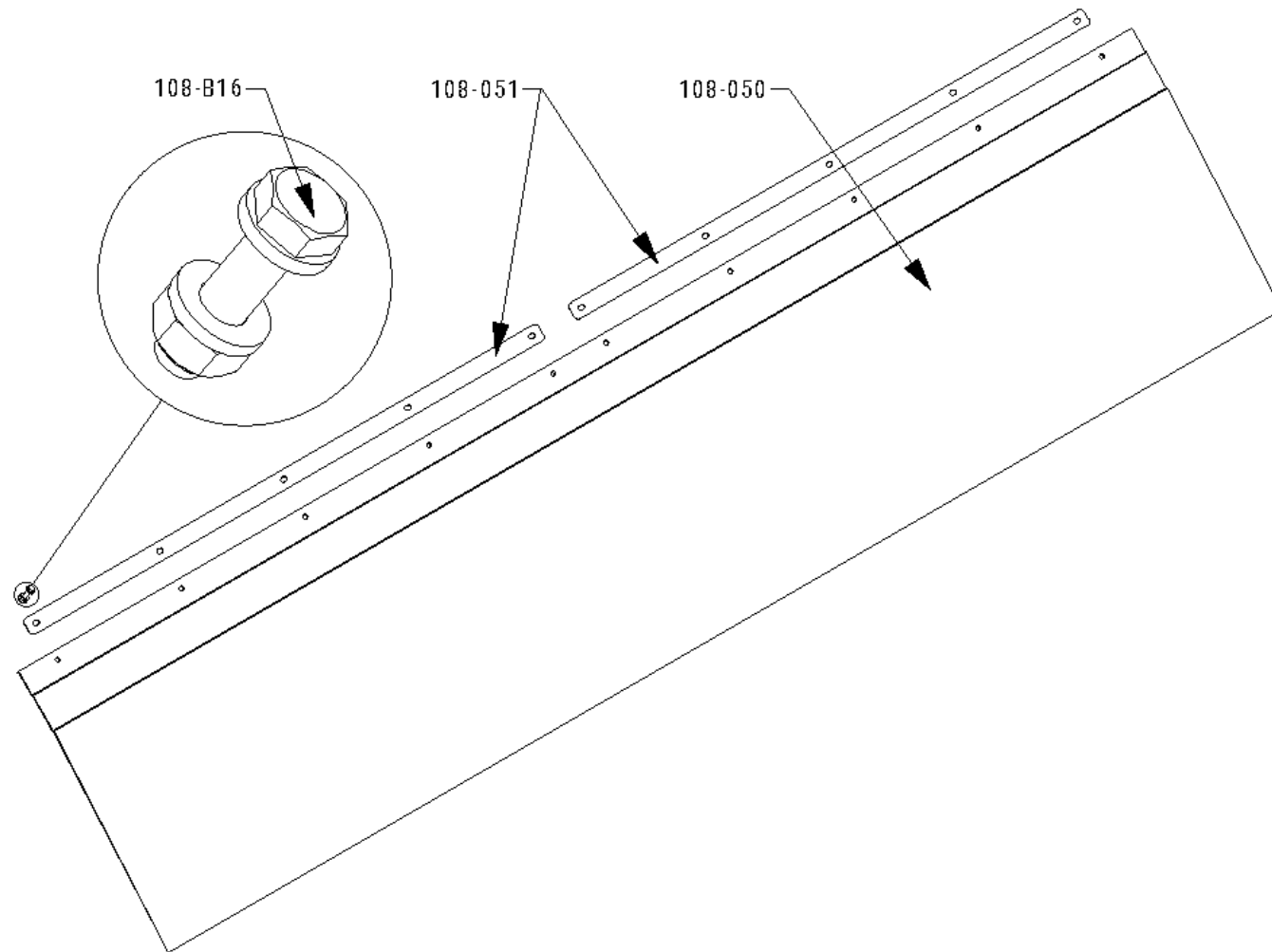
Screen er Model SLG 108VF
SLG 108 Screen Deck Assembly
Page 006-A



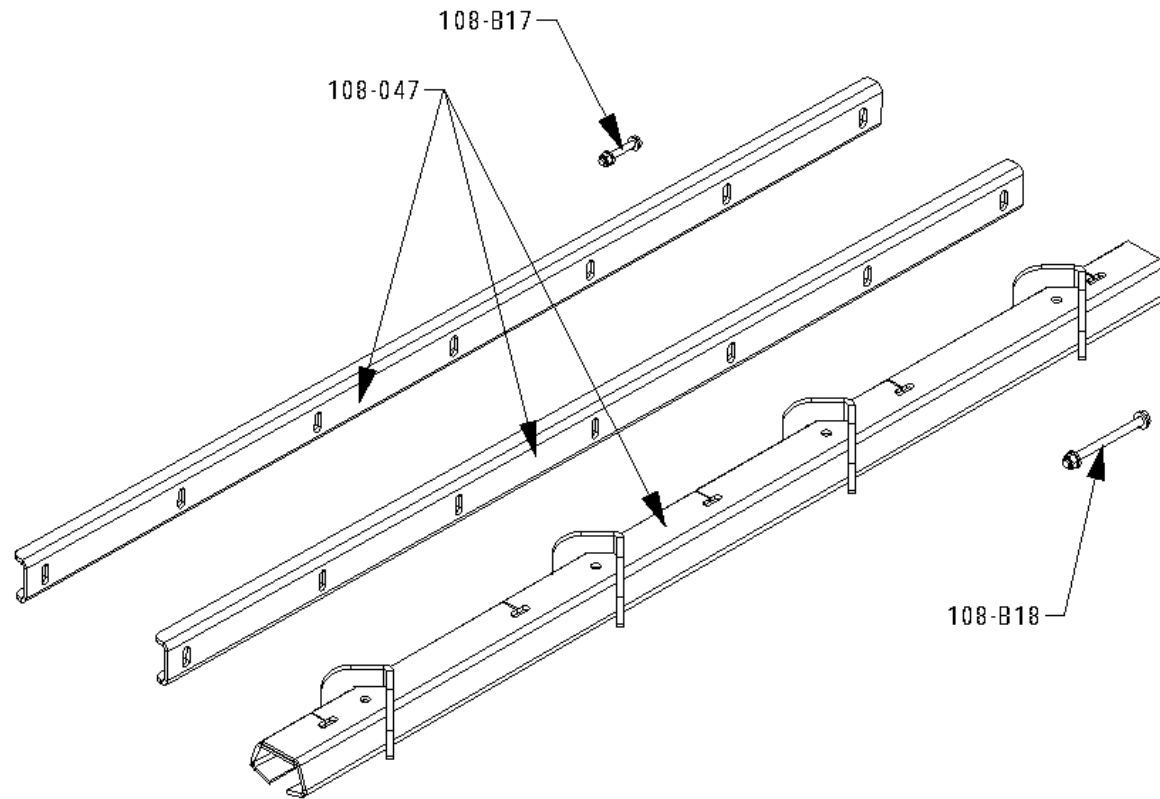
Screen er Model SLG 108VF
SLG 108 Screen Deck Assembly
Page 006-B



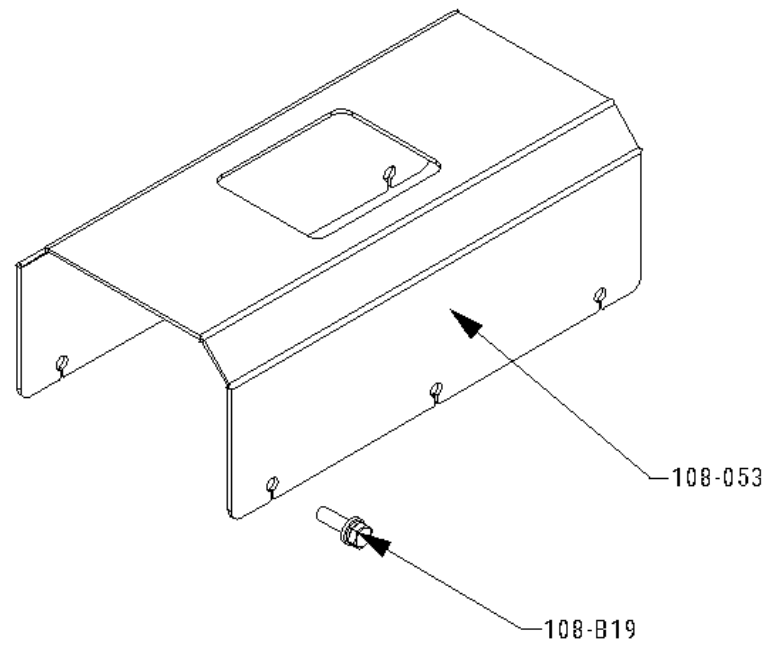
Screen er Model SLG 108VF
SLG 108 Screen Deck Assembly
Page 006-C



Screen er Model SLG 108VF
SLG 108 Screen Deck Assembly
Page 006-D



Screen er Model SLG 108VF
SLG 108 Screen Deck Assembly
Page 006-E

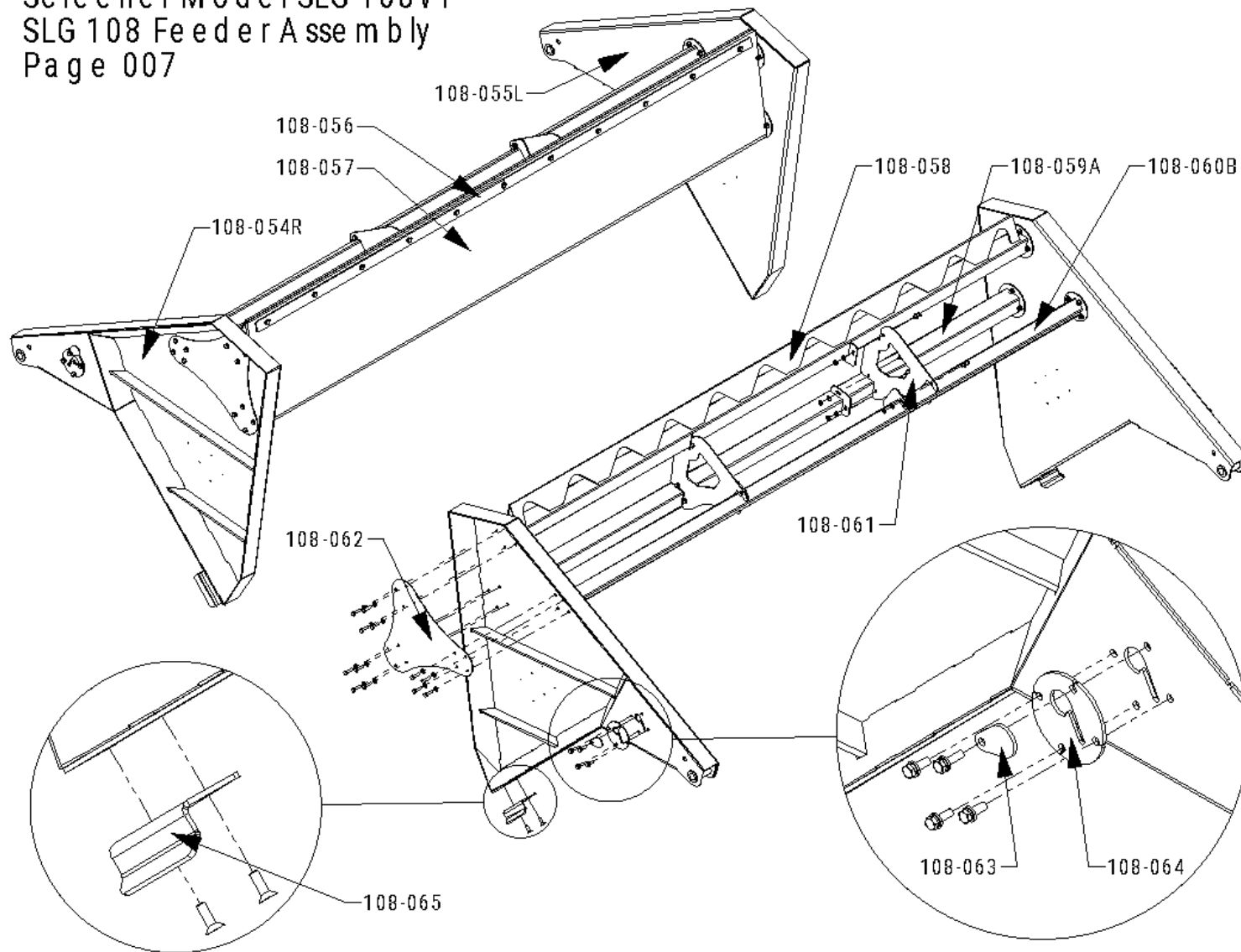


SLG 108 Feeder Assembly

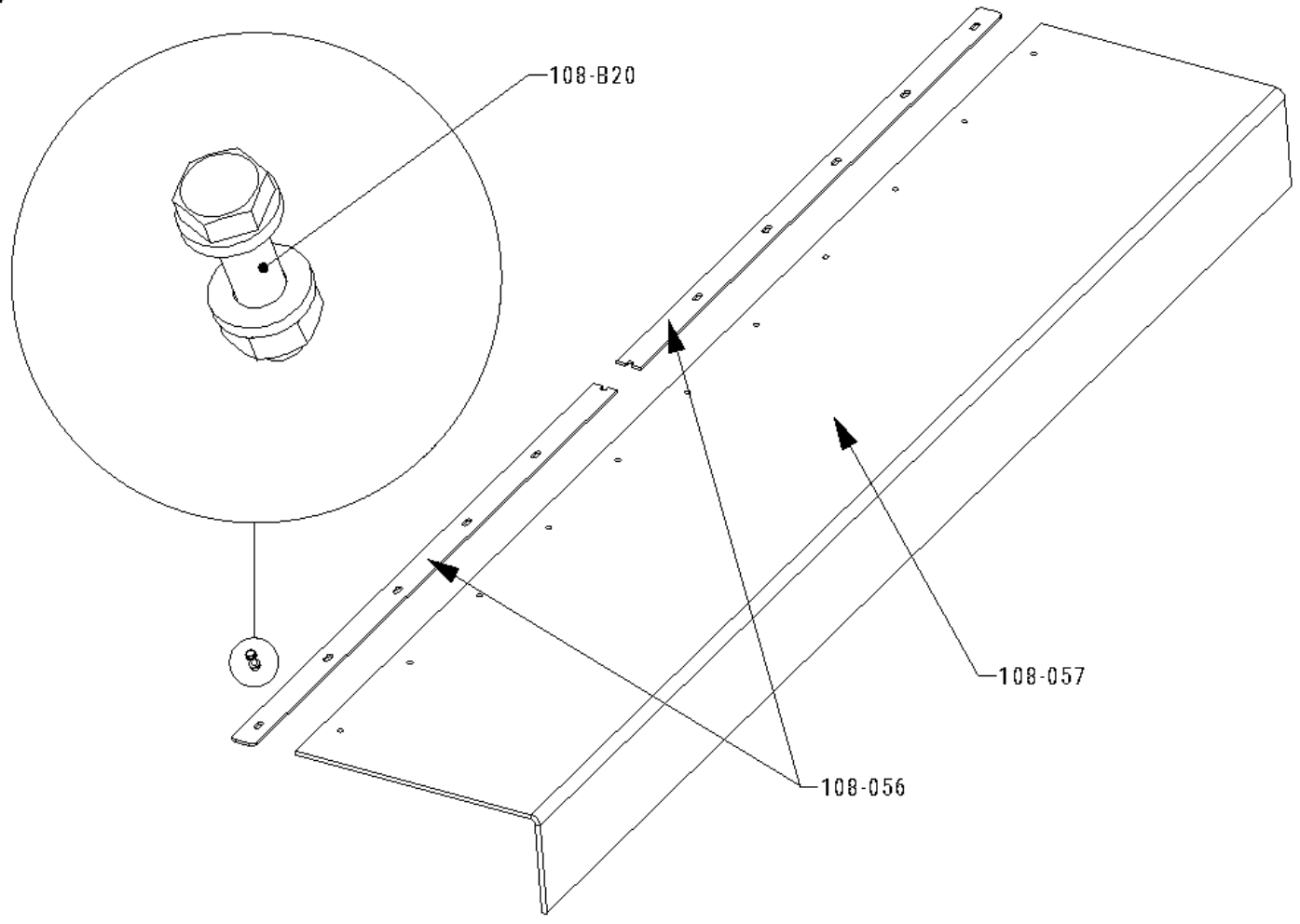
Page 007

Part Number	Part Description Name	kit/pieces	Quantity	Prices	Notes
108-054R	RH Feeder End Plate	pieces	1		
108-055L	LH Feeder End Plate	pieces	1		
108-056	Feeder Rubber Back Up Strip	pieces	2		2 pieces to make set
108-057	Feeder Rubber	pieces	1		
108-058	Feeder Upper Cross Tube	pieces	1		
108-059A	Feeder Lower Cross Tube	pieces	1		
108-060B	Feeder Lower Cross Tube	pieces	1		
108-061	Feeder Tube Gussets	pieces	2		set of 2
108-062	Feeder Reinforcement Plates	pieces	2		
108-063	Feeder Chain Tiedown Lock	kit/pieces	2		2 pieces to make set
108-064	Feeder Chain Reinforcement Plate	kit/pieces	2		2 pieces to make set Sold with part # 108-063
108-065	Feeder Guide Plates	pieces	2		2 pieces to make set
108-066	Feeder Chain Hook	pieces	2		2 pieces to make set Drawing #007-D
108-067	Feeder Chain Hook Lock	pieces	2		2 pieces to make set Sold with part # 108-066 Drawing # 007-D
108-068	Feeder Chain	pieces	2		2 pieces to make set
108-B20	M10X40 (1Pcs Bolt/2Pcs Flat Washer/1Pcs Lock Nut)	kit	11		
108-B21	M10X35 (1Pcs Bolt/2Pcs Flat Washer/1Pcs Lock Nut)	kit	24		
108-B22	M10X30 (1Pcs Bolt/2Pcs Flat Washer/1Pcs Lock Nut)	kit	12		
108-B23	M10X35 (1Pcs Bolt/2Pcs Flat Washer/1Pcs Lock Nut)	kit	16		
108-B24	M10X30 (1Pcs Countersink Bolt)	kit	4		Comes with 108-065

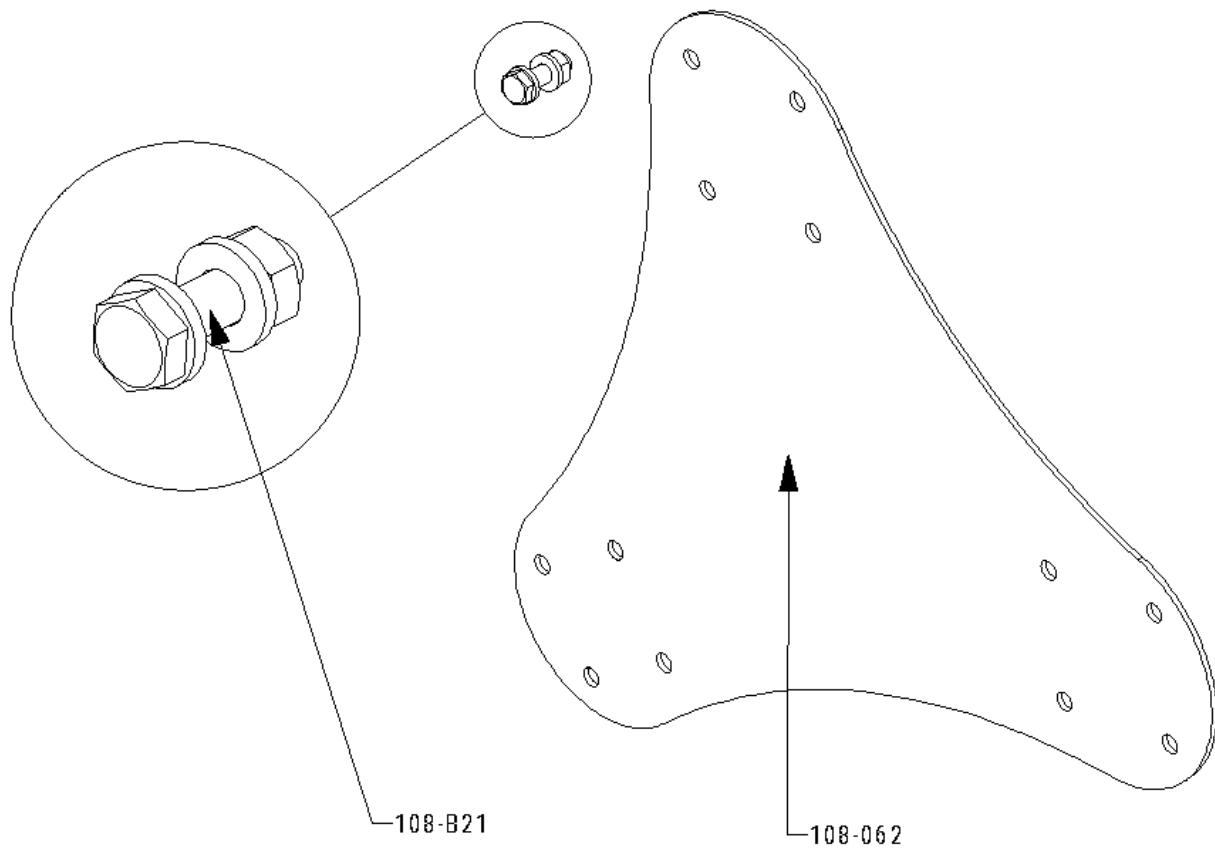
Screen er Model SLG 108VF
SLG 108 Feeder Assembly
Page 007



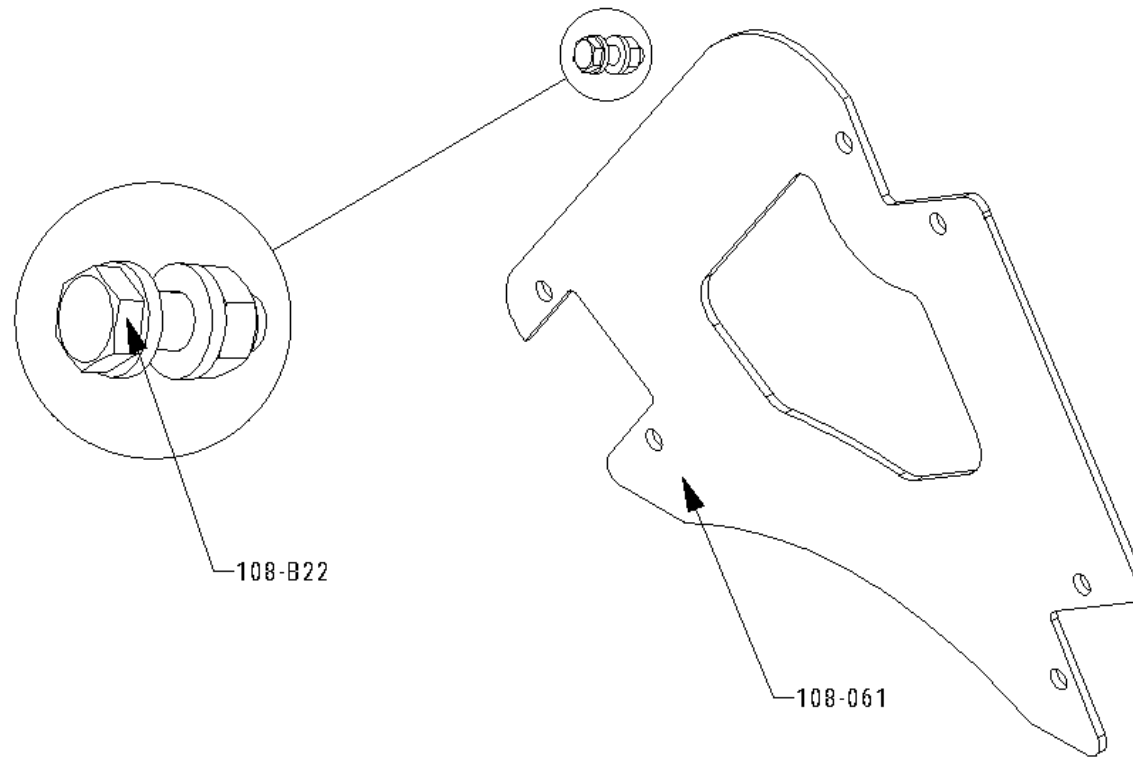
Screen er Model SLG 108VF
SLG 108 Feeder Assembly
Page 007-A



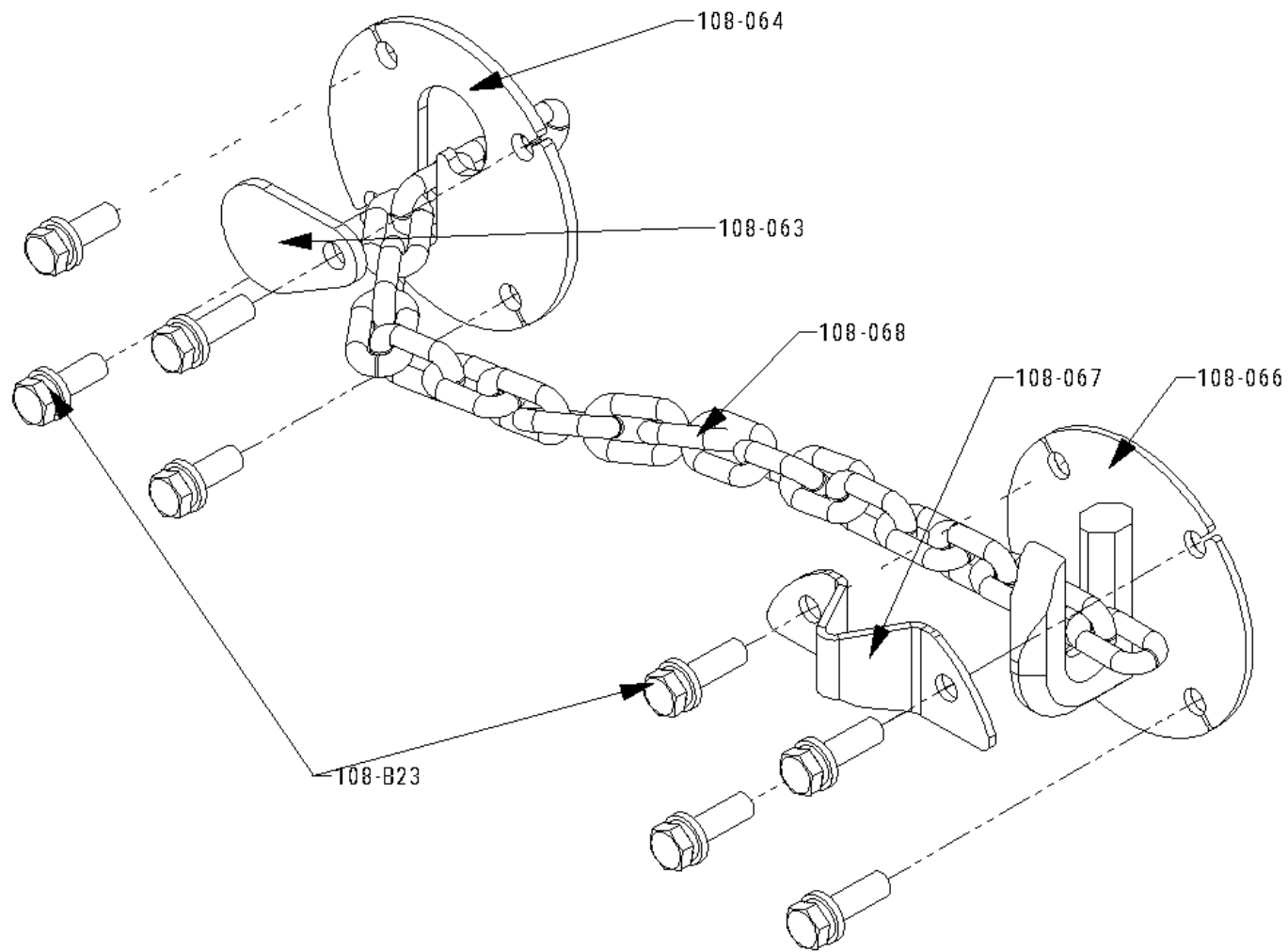
Screen er Model SLG 108VF
SLG 108 Feeder Assembly
Page 007-B



Screen er Model SLG 108VF
SLG 108 Feeder Assembly
Page 007-C



Screen er Model SLG 108VF
SLG 108 Feeder Assembly
Page 007-D



Screen er Model SLG 108VF
SLG 108 Feeder Assembly
Page 007-E

